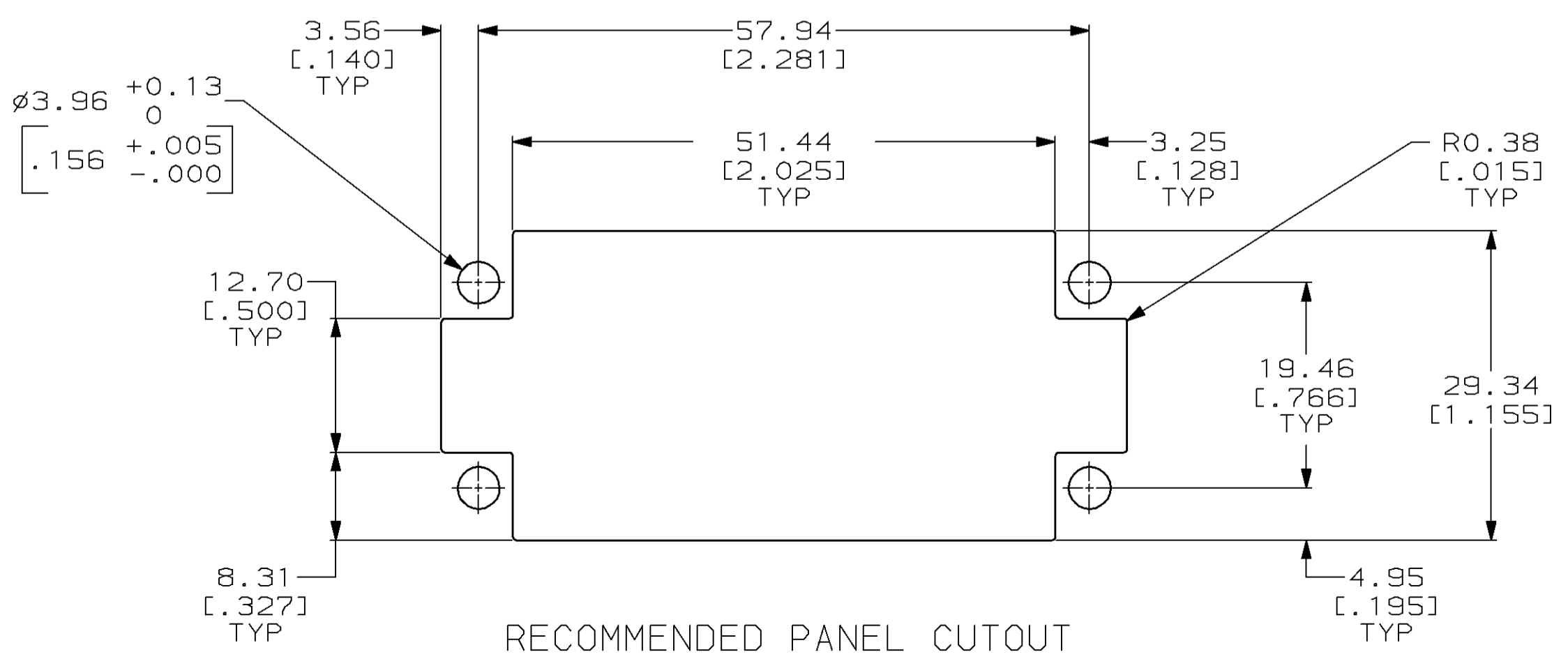
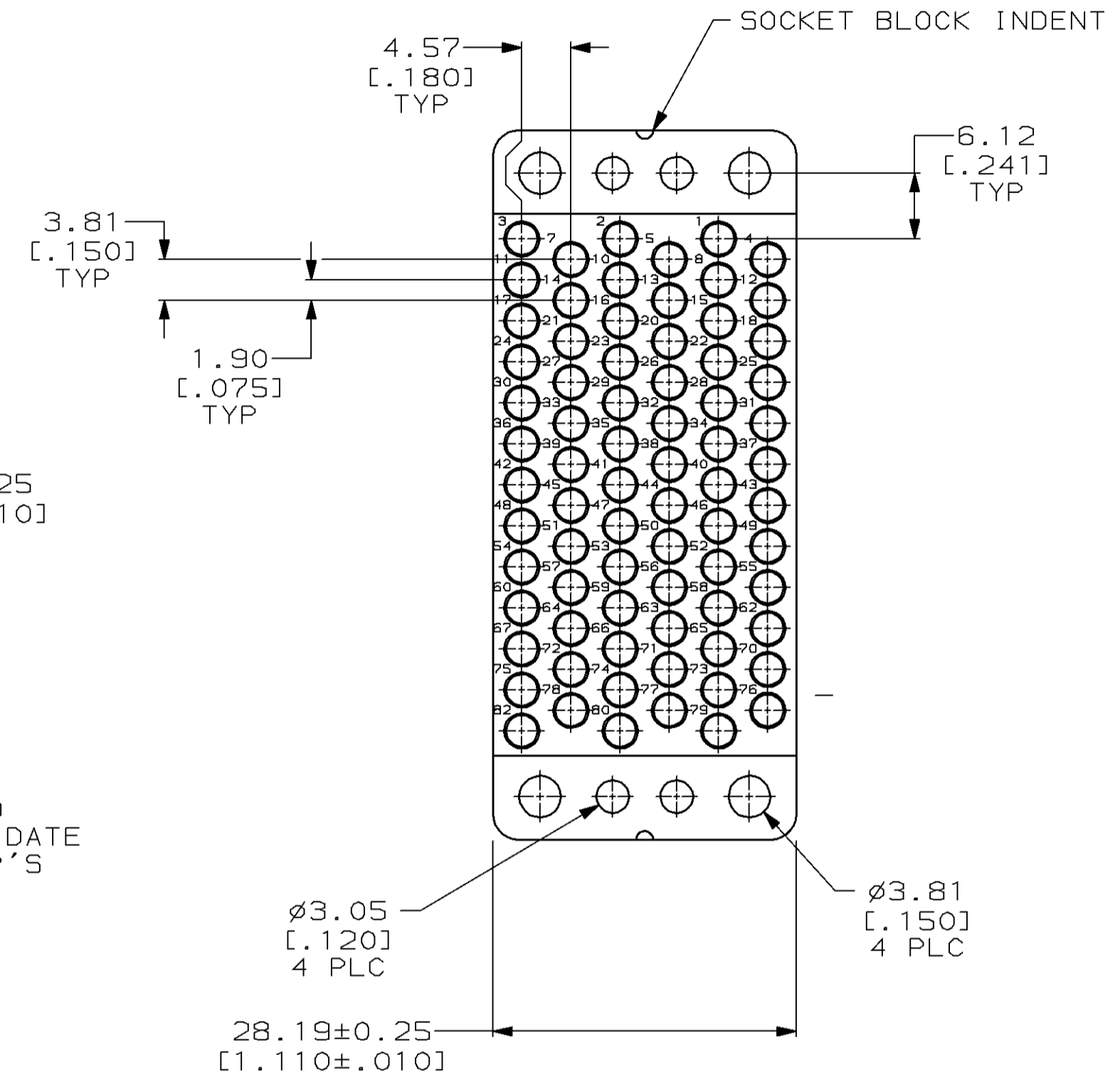
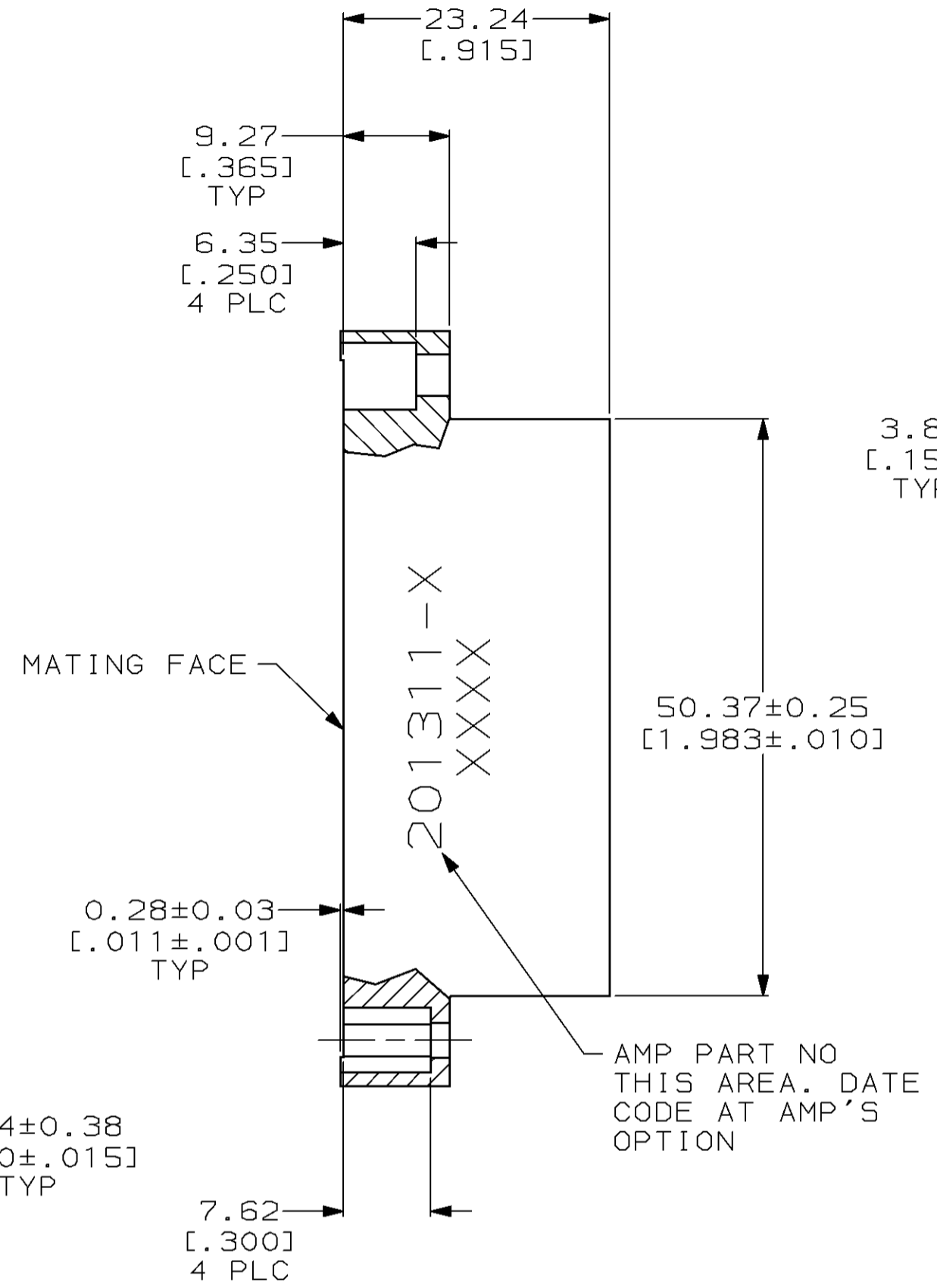
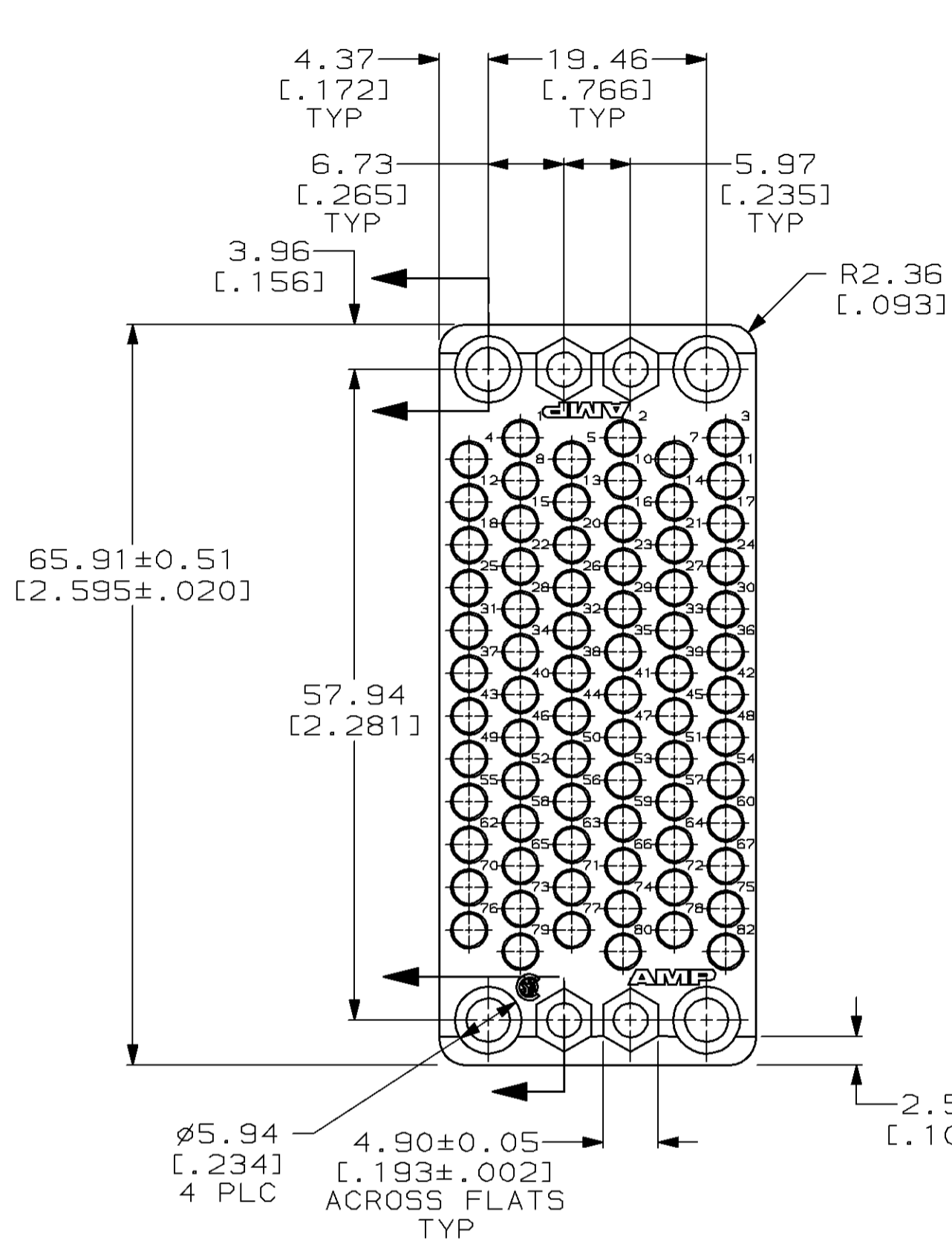


THIS DRAWING IS UNPUBLISHED. RELEASED FOR PUBLICATION
© COPYRIGHT 19 BY AMP INCORPORATED. ALL RIGHTS RESERVED.

LOC		DIST		REVISIONS					
FT		8		P	LTR	DESCRIPTION	DATE	DNN	APVD
		AB				REDRAWN W/O CHANGE PER EC 0020-1300-95	05 MAR 96	-	-
		AC				REV PER EC 0320-82-97	13 AUG 97	BC	GS



- 1 PHENOLIC PER MIL-M-14, TYPE CFG, BLACK.
- 2 DIALLYL PHTHALATE PER MIL-M-14, TYPE SDG-F, BLUE.
- 3. MATES WITH BLOCK 201310 AND ACCOMODATES TYPE II, TYPE III+ OR TYPE VI #16 PIN OR SOCKET CONTACTS.

$\triangle 2$	201311-3
$\triangle 1$	201311-1
MATERIAL	PART NUMBER

THIS DRAWING IS A CONTROLLED DOCUMENT.		DWN C. REIFSNYDER 05 MAR 96	AMP Incorporated Harrisburg, PA 17105-3608	
DIMENSIONS: mm [INCHES]	TOLERANCES UNLESS OTHERWISE SPECIFIED:	CHK R. STONE 06 MAR 96	AMP BLOCK, FEMALE, 75 PLACE, MINIATURE RECTANGULAR, M SERIES	
	0 PLC ±	APVD G. A. STEINHAWER 21 MAR 96		
	1 PLC ±	PRODUCT SPEC		
	2 PLC ±	APPLICATION SPEC		
MATERIAL SEE TABLE	3 PLC ±		NAME	
	4 PLC ±		SIZE	
	ANGLES		CAGE CODE	DRAWING NO
	FINISH		WEIGHT	SCALE
			CUSTOMER DRAWING	SHEET
				OF
				REV